

MODEL T226

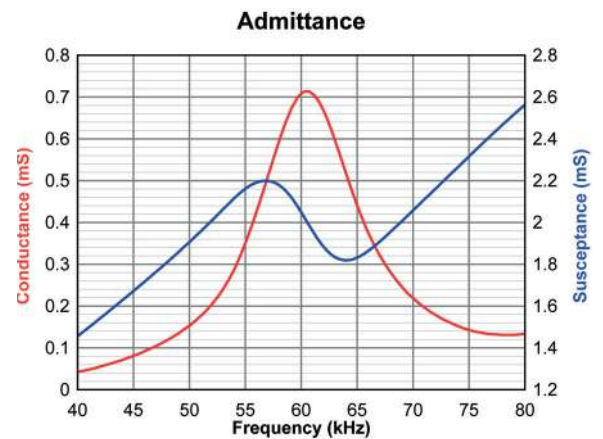
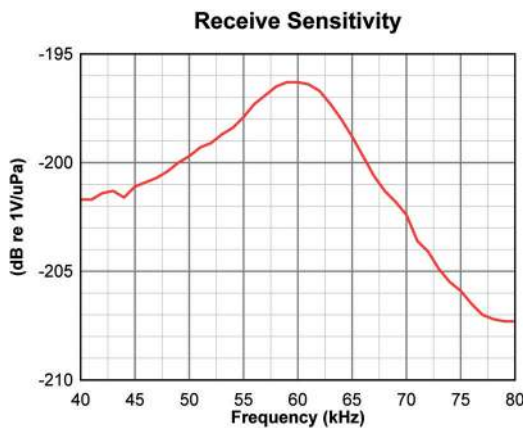


- 58 KHZ CYLINDRICAL TRANSDUCER
- BROADBAND TRANSMISSION
- TRANSPONDER
- RANGE TRACKING
- COMMUNICATIONS

The Type T226 is one of a series of underwater transducers available from Neptune that are designed for use in transponders, beacons, acoustic release mechanisms and data communication systems. The anodised aluminium base incorporates 6 x M4 tapped holes and an 'O' ring seal allowing simple and

direct mounting onto equipment or pressure housings.

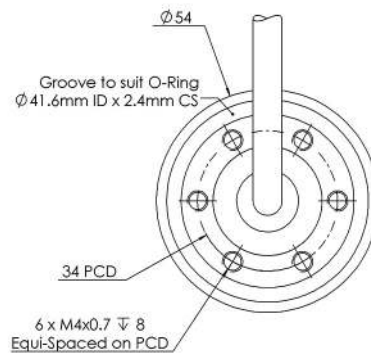
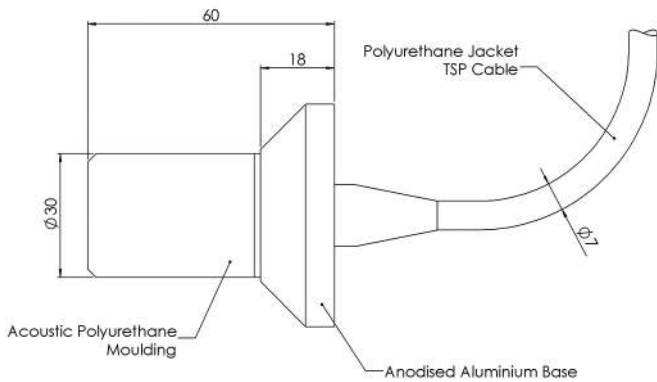
The T226 is available with or without acoustic calibration which is traceable to National Standards.



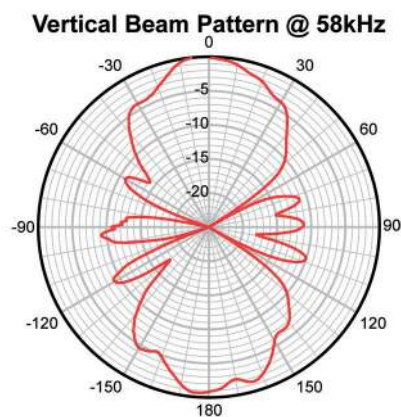
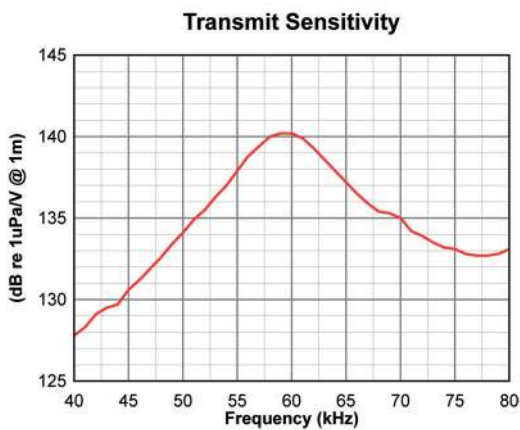
TECHNICAL SPECIFICATION

Resonant Frequency (Nominal)	60 kHz
Useful Operating Band	50 kHz to 70 kHz
Beam Pattern (Horizontal)	Omni ± 2 dB
Beam Pattern (Vertical)	Toroidal (See Graph)
Receive Sensitivity	-197 dB re 1V/μPa
Transmit Sensitivity	140 dB re 1μPa/V @ 1m
Capacitance at 1 kHz (with 1m cable)	5,100 pF
Transmit Voltage (Max)	600 Vrms
Transmit Voltage / Duty Cycle (Max)	600 Vrms at 10% 150 Vrms at 100%

MODEL T226



All dimensions in mm



MECHANICAL SPECIFICATION

Operating Depth	1500m
Weight Air/Water (with 1m cable)	0.17 kg / 0.1 kg
Operating Temperature	-5 to +40 °C
Storage Temperature	-40 to +80 °C
Cable Type	Ø7mm Polyurethane Jacket, Screened Twisted Pair
Cable Length	1m standard (Additional lengths supplied to order)