

MODEL T204

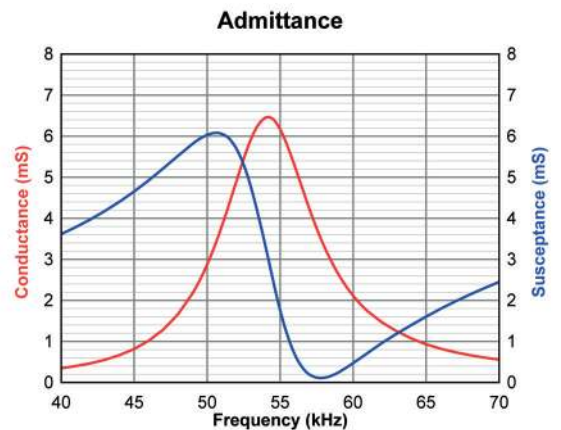
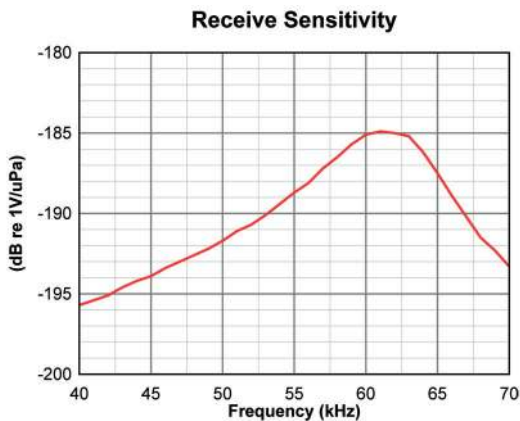


- HEMISPHERICAL BEAM PATTERN
- BROADBAND TRANSMISSION
- DEEP WATER CAPABILITY
- TRANSPONDER
- RANGE TRACKING
- COMMUNICATIONS

The T204 is one of a series of transducers available from Neptune that have been designed for use in transponder beacons, tracking systems, acoustic release mechanisms and data communication systems. The anodised aluminium base incorporates a threaded fastening and 'O' ring seal allowing simple and direct mounting onto equipment or

pressure housings, washer and nut provided.

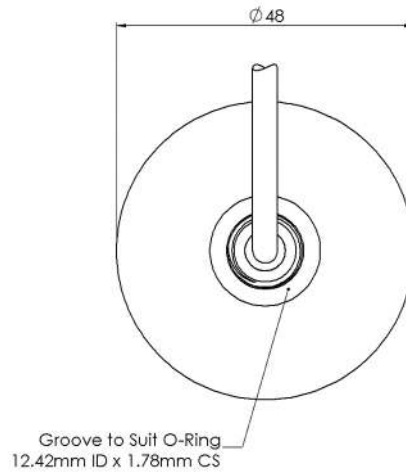
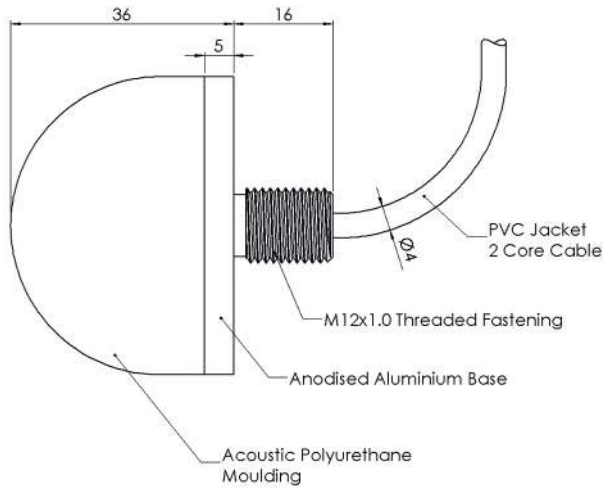
The T204 is available with or without acoustic calibration which is traceable to National Standards.



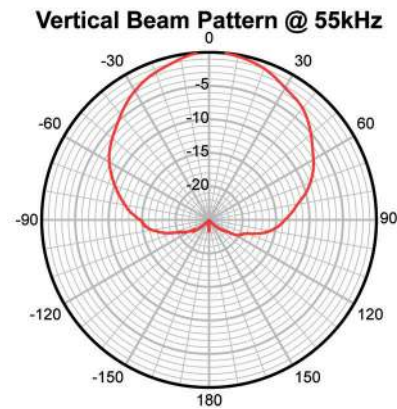
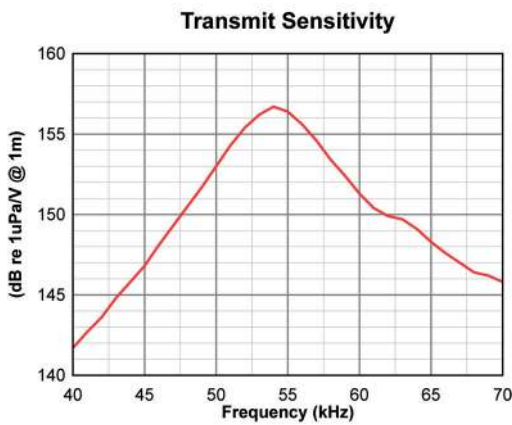
TECHNICAL SPECIFICATION

Resonant Frequency (Nominal)	55 kHz
Useful Operating Band	47 kHz to 62 kHz
Beam Pattern	Conical (See Graph)
Receive Sensitivity	-185 dB re 1V/μPa
Transmit Sensitivity	156 dB re 1μPa/V @ 1m
Capacitance at 1 kHz (with 1m cable)	12,000 pF
Transmit Voltage (Max)	250 Vrms
Transmit Voltage / Duty Cycle (Max)	250 Vrms at 10% 80 Vrms at 100%

MODEL T204



All dimensions in mm



MECHANICAL SPECIFICATION

Operating Depth	1500m
Weight Air/Water (with 1m cable)	0.17 kg / 0.10 kg
Operating Temperature	-5 to +40 °C
Storage Temperature	-40 to +80 °C
Cable Type	Ø4mm Polyvinyl Chloride Jacket, Screened Twisted Pair
Cable Length	1m standard (Additional lengths supplied to order)