

MODEL 122 SERIES



- **MULTIPLE FREQUENCY OPTIONS**
- **NAVIGATION, FISHING & SURVEYING**
- **HIGH PERFORMANCE**
- **SCIENTIFIC ECHO-SOUNDER**
- **HULL OR TOWED BODY**
- **ROBUST NYLON HOUSING**

The 122 SERIES is a precision echo-sounder transducers designed for use in hydrographic or scientific applications where accurately defined beam patterns are needed. The pattern is configured to achieve conical beams both for wide and narrow beam widths and are switched using a beam selection switch box which can be supplied separately.

The 122 SERIES is available with or without acoustic calibration, traceable to National Standards.

TECHNICAL SPECIFICATION - NARROW

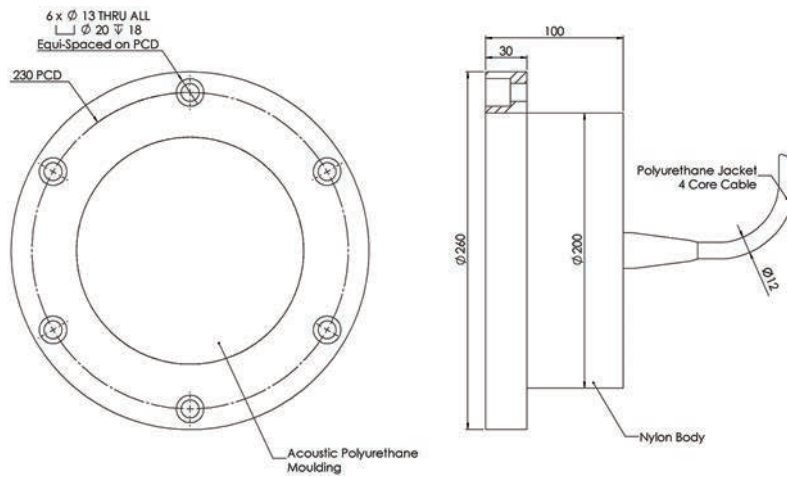
Frequency Options	120	200	210	kHz
Horizontal Beam (-3dB)	10	3.1	2.9	Degrees Conical
Transmit Sensitivity	174	178	178	dB re 1μPa/V @ 1m
Receive Sensitivity	-187	-188	-188	dB re 1V/μPa
Bandwidth	8	10	10	kHz
Nominal Impedance	50	50	50	Ohms
Transmit Voltage / Duty Cycle (Abs. Max)	300	400	400	Vrms at 10%

TECHNICAL SPECIFICATION - WIDE

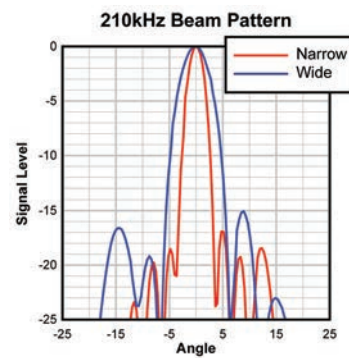
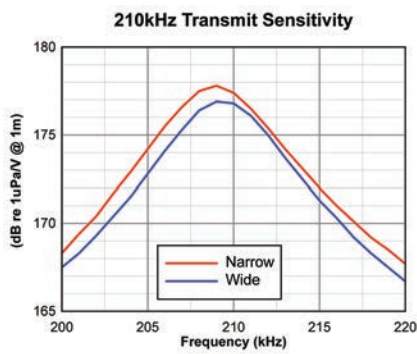
Frequency Options	120	200	210	kHz
Horizontal Beam (-3dB)	18	6.0	5.7	Degrees Conical
Transmit Sensitivity	170	177	177	dB re 1μPa/V @ 1m
Receive Sensitivity	-192	-188	-188	dB re 1V/μPa
Bandwidth	8	10	10	kHz
Nominal Impedance	50	50	50	Ohms
Transmit Voltage / Duty Cycle (Abs. Max)	300	300	300	Vrms at 10%

Transducer impedance can be adjusted to suit customers specification

MODEL 122 SERIES



All dimensions in mm



MECHANICAL SPECIFICATION

Operating Depth	300m
Weight Air/Water including 10m cable	6.1 kg / 1.2 kg
Operating Temperature	-5 to +40 °C
Storage Temperature	-40 to +80 °C
Cable Type	Ø12mm Polyurethane Jacket, Screened 4 Core
Cable Length	10m Standard (Additional lengths supplied to order)
Connector	Not fitted as standard (Optional Customer Specific)
Supplied With	Beam Selection Switch Box (SB1)