

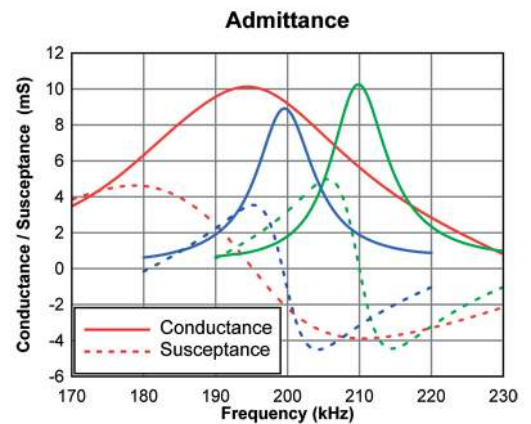
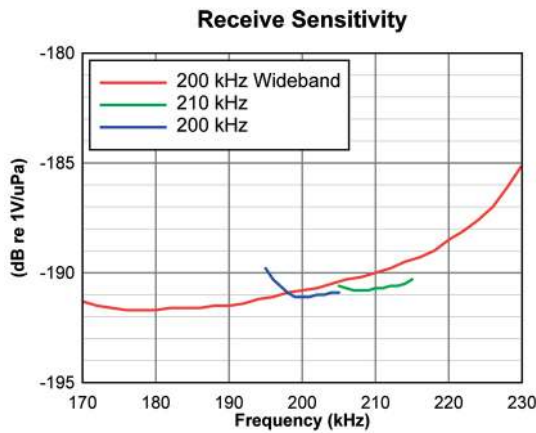
# MODEL 390 SERIES



- **ATLAS SW6014 EQUIVALENT**
- **5 FREQUENCY OPTIONS**
- **FISHING, NAVIGATION & SURVEYING**
- **HULL OR OVER-SIDE MOUNTING**
- **FULLY OVER-MOULDED**

Available in a choice of five different frequencies, the 390 SERIES transducer is intended for vertical depth sounding applications. The frequencies selected for the 390 SERIES are compatible with a wide range of echo-sounder types. The polyurethane housing provides a mechanically robust, corrosion free transducer, suitable for tank, thru-hull or over-side mounting.

A wideband version of the 200 kHz is available upon request. The 390 SERIES is available with or without acoustic calibration which is traceable to National Standards.

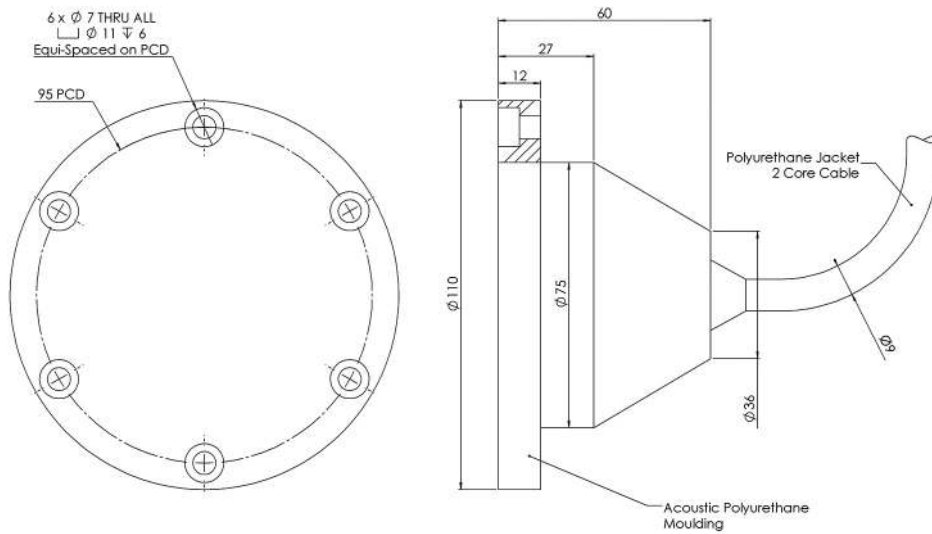


## ACOUSTIC SPECIFICATION

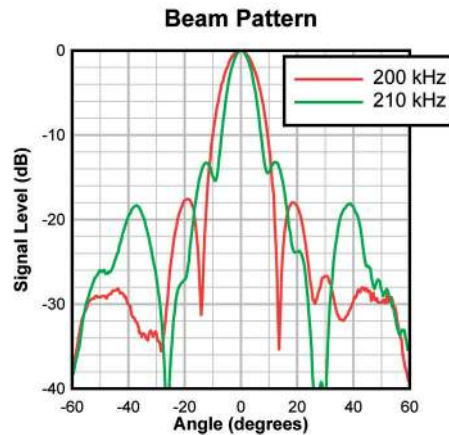
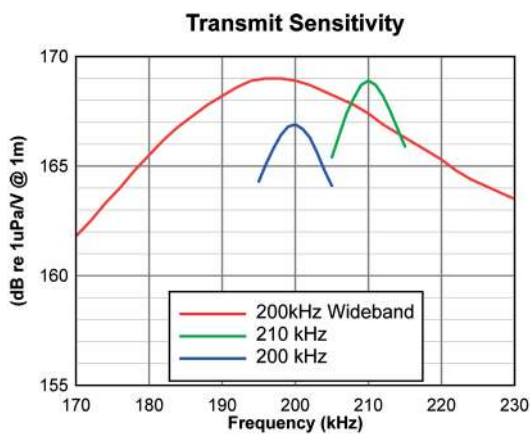
| Frequency Options                   | 160  | 200  | 200WB | 210  | 300  | 600  | kHz               |
|-------------------------------------|------|------|-------|------|------|------|-------------------|
| Beam Angle (-3dB)                   | 12   | 8    | 8     | 7.5  | 7    | 5    | Degrees Conical   |
| Transmit Sensitivity                | 173  | 170  | 169   | 170  | 172  | 172  | dB re 1μPa/V @ 1m |
| Receive Sensitivity                 | -191 | -193 | -192  | -193 | -193 | -193 | dB re 1V/μPa      |
| Transmit Voltage / Duty Cycle (Max) | 150  | 150  | 150   | 175  | 150  | 150  | Vrms at 10%       |
| Bandwidth                           | 24   | 15   | 35    | 15   | 45   | 90   | kHz               |
| Nominal Impedance                   | 70   | 70   | 100   | 100  | 75   | 75   | Ohms              |

Transducer impedance can be adjusted to suit customers specification

# MODEL 390 SERIES



All dimensions in mm



## MECHANICAL SPECIFICATION

|                                      |  |
|--------------------------------------|--|
| Operating Depth                      | 300m Standard  |
| Weight Air/Water including 10m cable | 1.4 kg / 0.5 kg  |
| Operating Temperature                | -5 to +40 °C   |
| Storage Temperature                  | -40 to +80 °C  |
| Cable Type                           | $\varnothing$ 9mm Polyurethane Jacket, Screened Twisted Pair |
| Cable Length                         | 10 metres standard<br>(Additional lengths supplied to order) |
| Connector                            | Not fitted as standard<br>(Optional Customer Specific)       |