

# MODEL 142 SERIES

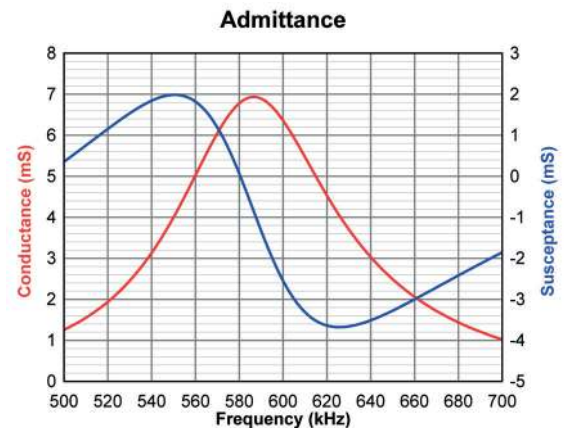
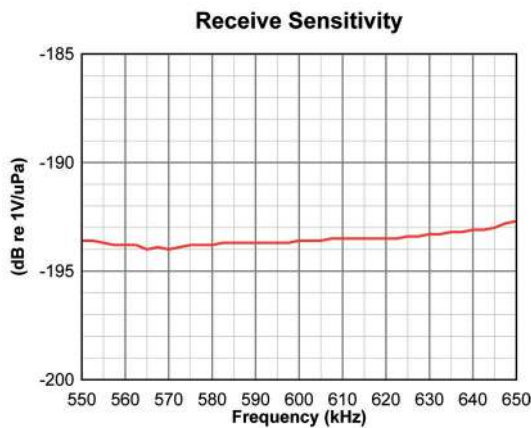


- 5 FREQUENCY OPTIONS
- FISHING, NAVIGATION & SURVEYING
- HULL OR OVER-SIDE MOUNTING
- LOW SIDE-LOBES
- ROBUST NYLON HOUSING

Available in a choice of five different frequencies, the 142 SERIES transducers are intended for short range, narrow beam echo sounding applications. The 142 SERIES transducers are designed to be compatible with a wide range of echo sounder models. It is also possible to modify the impedance to match any customer values with a simple factory adjustment to the integral transformer. The high impact strength nylon body provides

a mechanically robust, corrosion free transducer designed for thru-hull, tank or over-side mounting.

The 142 SERIES is available with or without acoustic calibration which is traceable to National Standards.

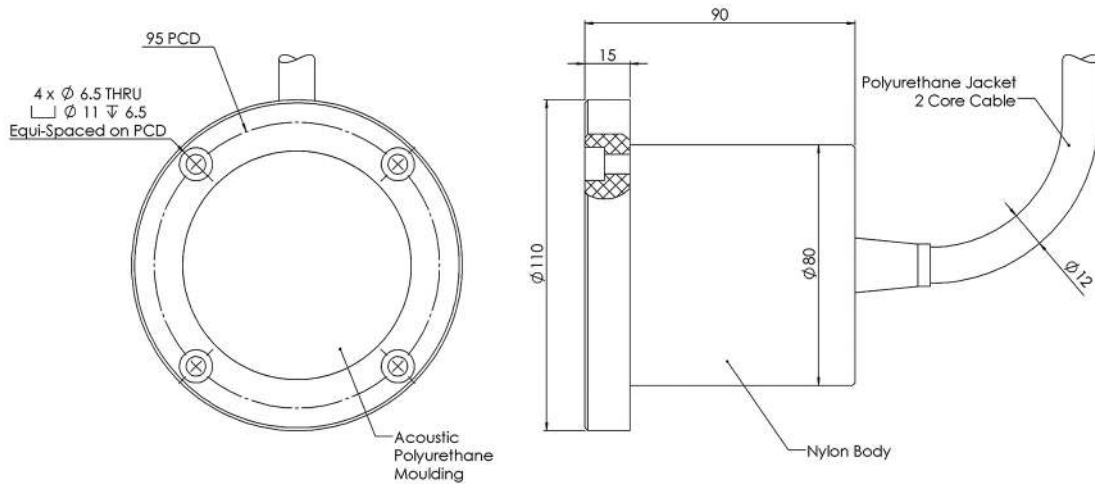


## ACOUSTIC SPECIFICATION

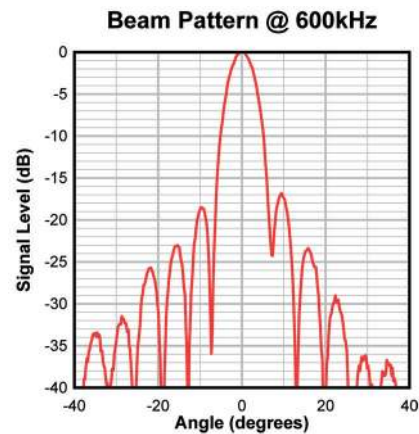
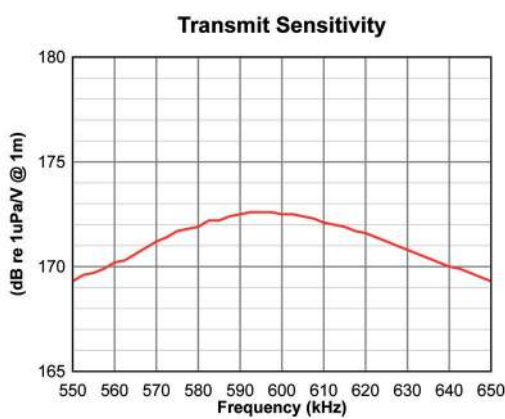
Frequency Options	160	200	210	300	600	kHz
Beam Angle (-3dB)	12	8	7.5	7	5	Degrees Conical
Transmit Sensitivity	173	170	170	172	172	dB re 1μPa/V @ 1m
Receive Sensitivity	-191	-193	-193	-193	-193	dB re 1V/μPa
Transmit Voltage / Duty Cycle (Max)	150	150	175	150	150	Vrms at 10%
Bandwidth	25	15	15	45	90	kHz
Nominal Impedance	70	70	100	75	75	Ohms

Transducer impedance can be adjusted to suit customers specification

# MODEL 142 SERIES



All dimensions in mm



## MECHANICAL SPECIFICATION

Operating Depth	300m Standard
Weight Air/Water including 10m cable	2.3 kg / 0.64 kg
Operating Temperature	-5 to +40 °C
Storage Temperature	-40 to +80 °C
Cable Type	Ø12mm Polyurethane Jacket, Screened Twisted Pair
Cable Length	10 metres standard (Additional lengths supplied to order)
Connector	Not fitted as standard (Optional Customer Specific)