

MODEL 395 SERIES

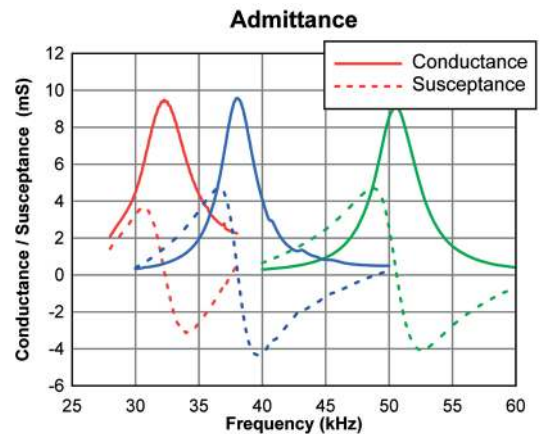
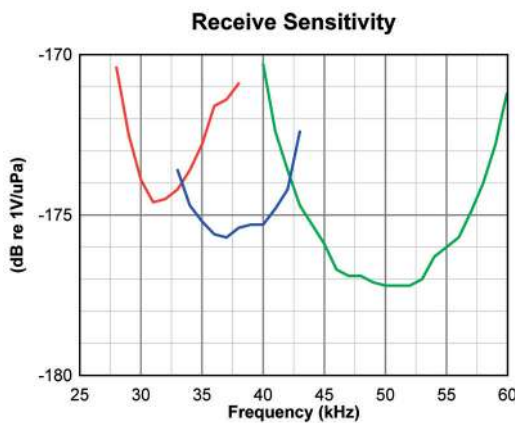


- **ATLAS SW6028 EQUIVALENT**
- **6 FREQUENCY OPTIONS**
- **FULLY OVER-MOULDED**
- **FISHING, NAVIGATION & SURVEYING**
- **HULL MOUNTING**

Available in a choice of six different frequencies, the 395 SERIES transducer is intended for vertical depth sounding applications. The frequencies selected are compatible with a wide range of echo-sounder types. The concentric element arrangement generates a conical beam pattern with low side lobes. The polyurethane housing provides a mechanically robust, corrosion free transducer,

suitable for tank, thru-hull or over-side mounting.

The 395 SERIES is available with or without acoustic calibration which is traceable to National Standards.

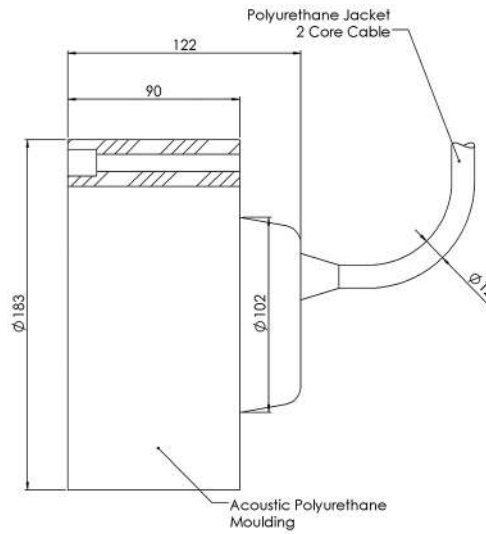
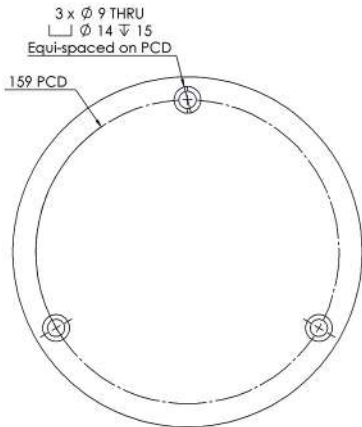


ACOUSTIC SPECIFICATION

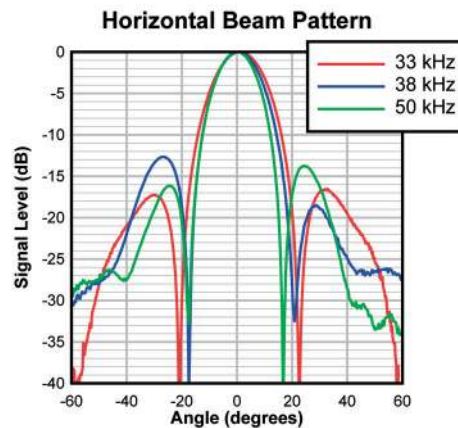
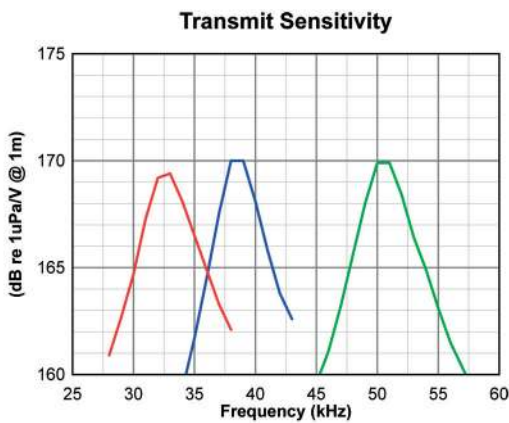
Frequency Options	24	28	30	33	38	50	kHz
Beam Angle (-3dB)	23	19	18	16.5	14	11	Degrees Conical
Transmit Sensitivity	167	168	168	168	166	171	dB re 1μPa/V @ 1m
Receive Sensitivity	-173	-173	-175	-175	-176	-178	dB re 1V/μPa
Transmit Voltage / Duty Cycle (Max)	300	300	325	325	325	300	Vrms at 10%
Bandwidth	2.5	2.8	3.0	3.5	3.5	6.0	kHz
Nominal Impedance	75	75	100	100	100	75	Ohms

Transducer impedance can be adjusted to suit customers specification

MODEL 395 SERIES



All dimensions in mm



MECHANICAL SPECIFICATION

Operating Depth	300m Standard
Weight Air/Water including 10m cable	5.2 kg / 1.5 kg
Operating Temperature	-5 to +40 °C
Storage Temperature	-40 to +80 °C
Cable Type	Ø12mm Polyurethane Jacket, Screened Twisted Pair
Cable Length	10 metres standard (Additional lengths supplied to order)
Connector	Not fitted as standard (Optional Customer Specific)