

MODEL T403 & T404

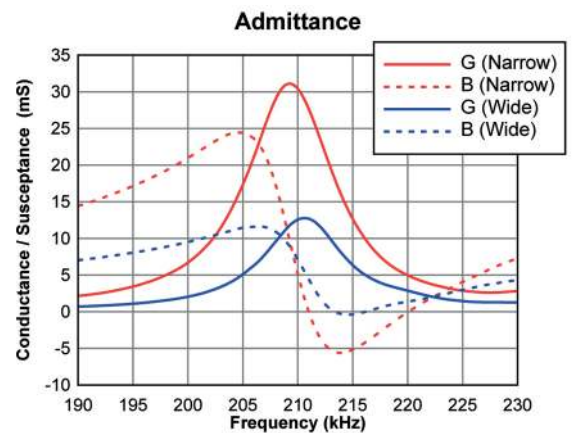
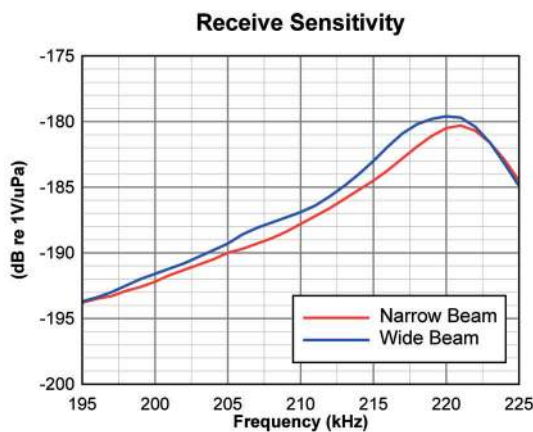


- **FREQUENCY 200 & 210 KHZ**
- **SIDECAN TRANSDUCER**
- **SHALLOW WATER SURVEYING**
- **HULL MOUNTED**
- **TOW FISH OPTION**

The T403 and T404 transducers have been designed to complement shallow water echo sounder surveying operations typically carried out by Port and River Authorities. Eliminating the need to deploy a tow fish, these sidescan transducers can be mounted directly onto the hull and inclined downwards away from the

surface, to provide useful “fill-in data” between adjacent survey runs.

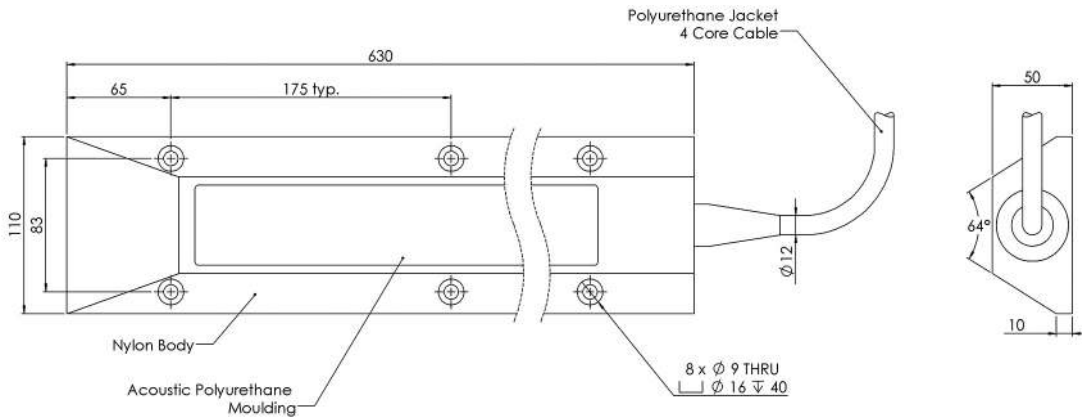
Both transducer types are available with or without calibration which is traceable to National Standards.



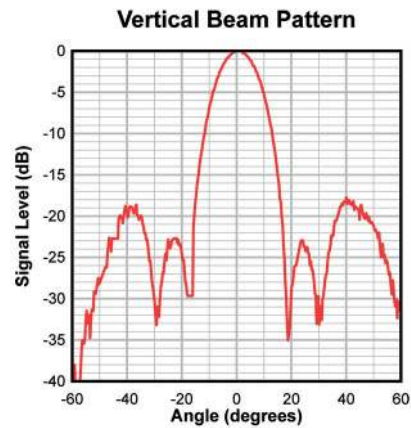
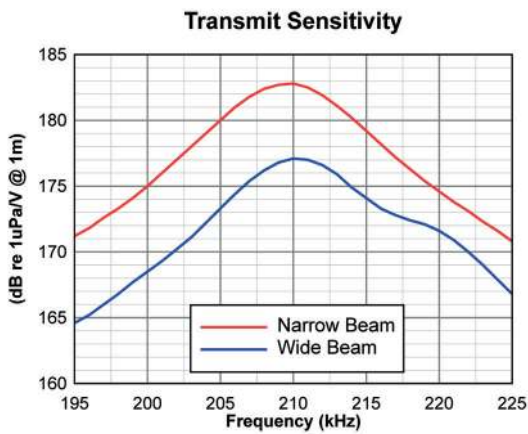
ACOUSTIC SPECIFICATION

Model Number	T403		T404		kHz
	200		210		
Resonant Frequency (Nominal)	200		210		kHz
Beam Pattern	Wide	Narrow	Wide	Narrow	Selectable
Horizontal Beam (-3dB)	1.6	0.9	1.5	0.8	Degrees
Vertical Beam (-3dB)	16.0	16.0	16.0	16.0	Degrees
Transmit Sensitivity	177	182	177	182	dB re 1uPa/V @ 1m
Receive Sensitivity	-187	-187	-187	-187	dB re 1V/uPa
Transmit Voltage / Duty Cycle (Max)	750	750	750	750	Vrms at 10%
Bandwidth	10	10	10	10	kHz
Nominal Impedance	75	75	75	75	Ohms

MODEL T403 & T404



All dimensions in mm



MECHANICAL SPECIFICATION

Operating Depth	600m Standard (Optional 2000m – both may require an export license)
Weight Air/Water (with 10m cable)	5.2 kg / 1.4 kg
Operating Temperature	-5 to +40 °C
Storage Temperature	-40 to +80 °C
Cable Type	Ø12mm Polyurethane Jacket, Screened 4 Core
Cable Length	10 metres standard (Additional lengths supplied to order)
Connector	Not fitted as standard (Optional Customer Specific)
Optional	Beam Selection Switch Box