

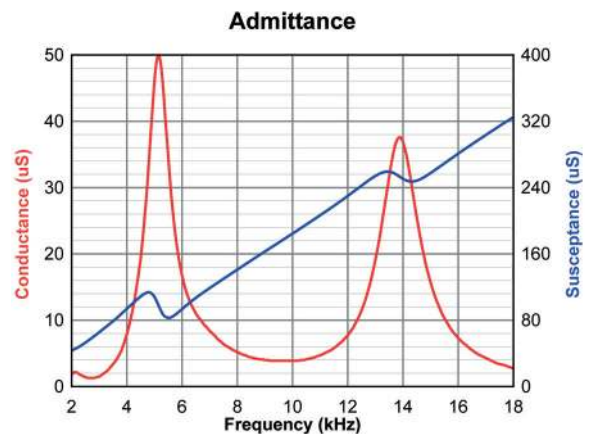
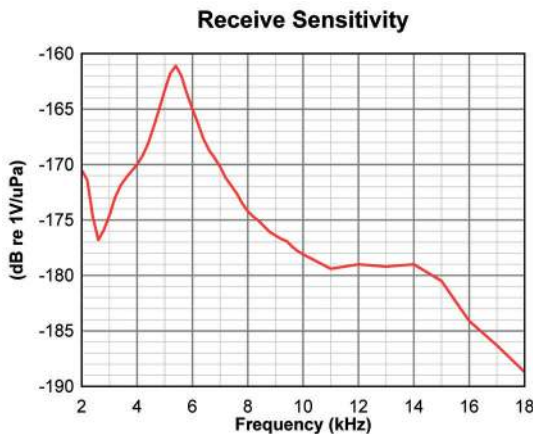
# MODEL T420



- 5 KHZ BROADBAND PROJECTOR
- HIGH POWER
- DIRECTIONAL BEAM PATTERN
- HIGH PERFORMANCE
- LONG RANGE TRANSMISSION

The T420 is a single tonpilz transducer offering a high power, broadband performance. With a nominal operating frequency range from 4.5 kHz to 14 kHz transducers can be configured to form half lambda spaced arrays. The robust design is tolerant of both dynamic and static pressure making it particularly suitable for both commercial and military applications.

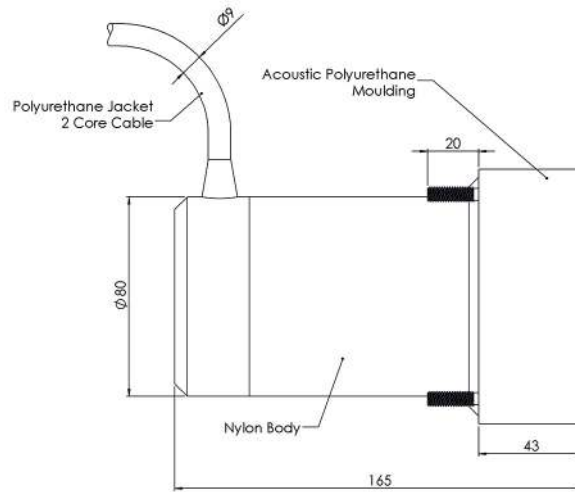
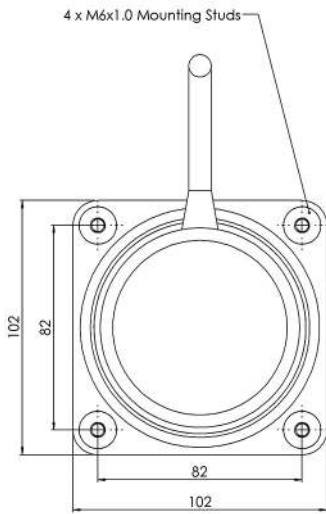
The T420 is available with or without acoustic calibration which is traceable to National Standards.



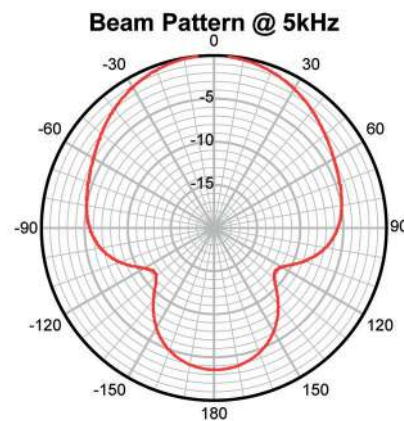
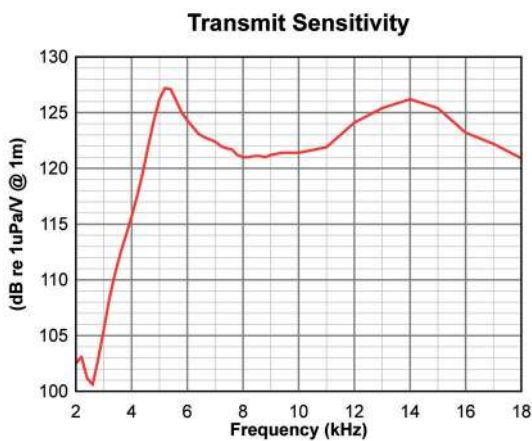
## TECHNICAL SPECIFICATION

Resonant Frequency (Nominal)	5 kHz
Useful Operating Band	4.5 kHz to 14 kHz
Nominal Impedance	20 kΩ
Beam Pattern @-3dB	Conical (See Graph)
Receive Sensitivity	-163 dB re 1V/μPa
Transmit Sensitivity	126 dB re 1μPa/V @ 1m
Transmit Voltage (Max)	2,000 Vrms
Transmit Voltage / Duty Cycle (Max)	2000 Vrms at 10% 600 Vrms at 100%

# MODEL T420



All dimensions in mm



## MECHANICAL SPECIFICATION

Operating Depth	600m
Weight Air/Water	3.8 kg / 2.1 kg
Operating Temperature	-5 to +40 °C
Storage Temperature	-40 to +80 °C
Cable Type	Ø9mm Polyurethane, Screened Twisted Pair
Cable Length	10m standard (Additional lengths supplied to order)
Connector	Not fitted